

# "Intelligent designs for high productivity"

## 2 MODULE ENCLOSURE LIGHT

### FOR M36 DIN-RAIL LOW COST

**SERIES**  
**M2**

#### TECHNICAL DATA:

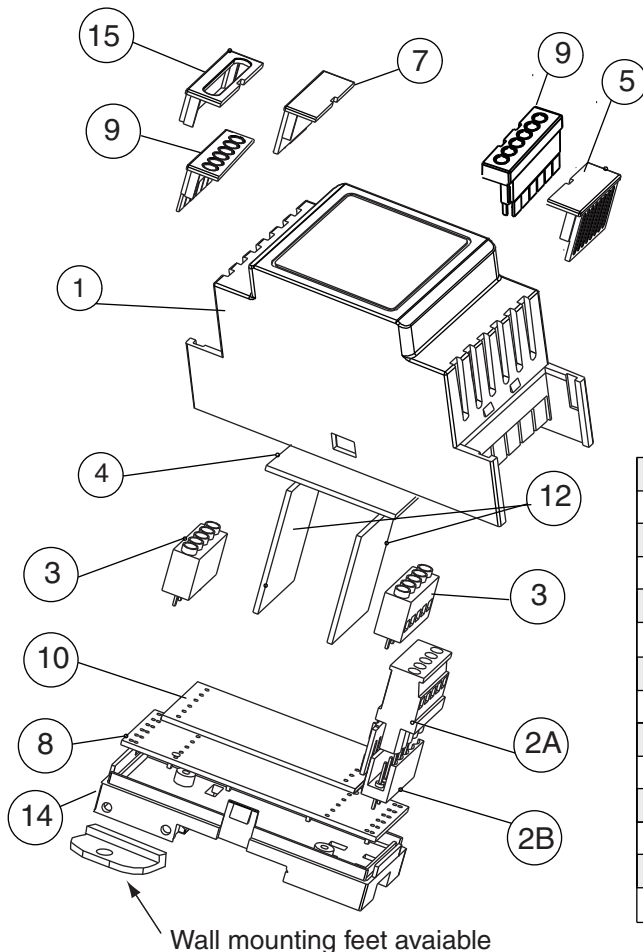
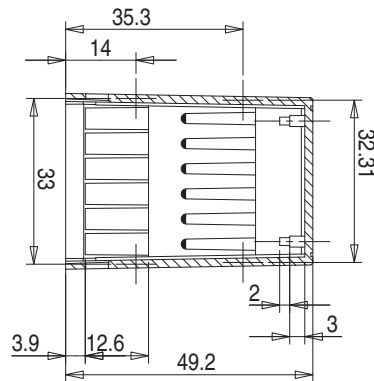
##### TOP PART:

Material: ABS (other on request)  
 Colour: Grey (RAL 7035) other on request  
 Max.temperature: 75 C  
 Width: 35.0 mm  
 (2 modules)

##### BASE PART:

Material: ABS (other on request)  
 Colour: Black (RAL 9005) other on request  
 Max.temperature: 75 C  
 Terminals: Up to 12 fixed or  
 (2x6) plugable  
 Mounting: DIN-rail (EN50022)

**Many different covers available**



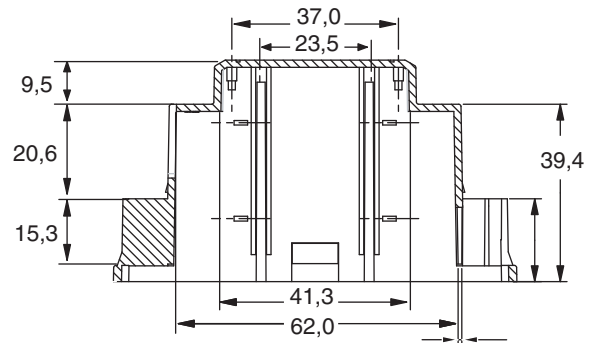
Light lowcost 2 modules enclosure.

With the optional terminal covers you can have a simple and low cost two pcs enclosure or you can use the optional covers to enable you the flexibility to build your own DIN-rail enclosures.

The possibility of mixing covers with different openings for connectors gives not only very wide options of connections, but also a very good price.

Due to designed covers it is possible to add different and individual features to the design. Interconnections in form of pin headers and distance pcs/spacers from board level to board level are available.

Options: Printed numbers and symbols on the cover and colour coded covers. Series M2 is, if requested, available with customer specified holes in front. Prototype PCB, customized label and packing are available.



The codes are only an option, you do not necessarily need them all.

Pos.	Description Type M2 Light	Partnumber
1	Top part, label area 35 x 35	p/n 6069002101
2A	Plugable terminal 6 way, horizontal	p/n 3955606780
2B	Plugable terminal 6 way, horizontal	p/n 3955706380
3	Fixed terminal 6 way	p/n 3950146108
4	Top PCB for type M2	p/n 4999350002
5	Cover ventilated	p/n 8845350401
7	Cover closed	p/n 8845350101
8	Base PCB for type M2	p/n 4999350005
9	Lower cover, knock out	p/n 8845350501
12	Short side PCB	p/n 4999350001
14	Base part type M2 with clip + 2 screws	p/n 4969002351
15	Low cover with oval hole	p/n 8845350201
16	Kompleat M2 (top+base)	p/n 6069102101